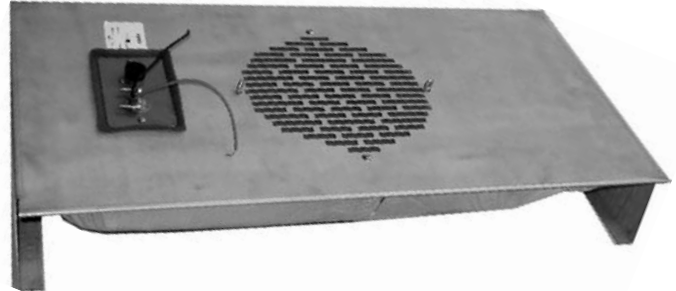
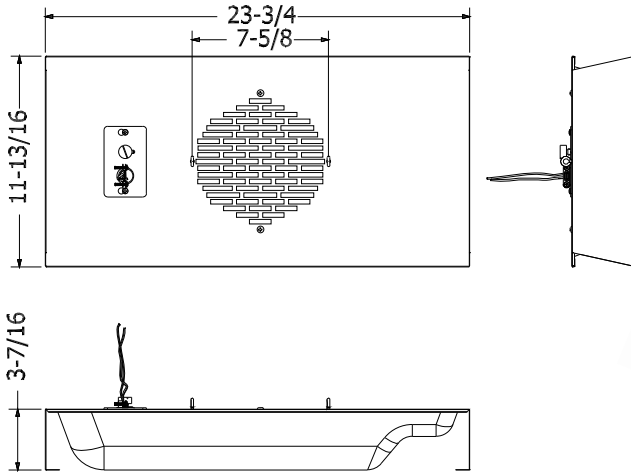




MA/E9/S2/T8

Grid Mount, Masking Speaker System
70V, Rotary Select

SOUND MASKING LOUSPEAKER ASSEMBLY



GENERAL DESCRIPTION

The MA/E9/S2/T8 is a complete ceiling grid mount sound masking loudspeaker assembly with an 8" O.D. loudspeaker with concentric mount hard fiber HF cone, 4W-70.7V rotary select transformer, perforated 22 gage steel baffle, integral molded fiber enclosure and support chain.
Finish: Rust-resistant CRS

SYSTEM COMPONENTS

Loudspeaker	8C10PAX
Transformer	70V 4W- 5 tap Rotary select (4W, 2W, 1W, 0.5W, 0.25W)

RECOMMENDED QUAM SYSTEM COMPONENT

QC101M	1-gang, 100W, attenuator, 10-steps, 1.5 dB per
QC101M/RM	Rack mount version, specifications as above

AUDIO SPECIFICATIONS

Average Sensitivity	95 dB-SPL 1W/1M
Loudspeaker Power Rating	20W RMS EIA 426A Standard
Calculated Maximum System Output	101 dB-SPL 5W/1M
Magnet Type, Weight	BeFe Ceramic, 10 oz.
Frequency Response	65 Hz - 17 kHz EIA 426A Standard
Nominal Coverage Angle	100° included angle -6 dB/ 2 kHz, half space
Audio Connection	Pre-cut 7" color coded leads
mechanical Connection	Seismic tie-offs provided on top of unit if required by AHJ

INTENDED USE

Placed upward-facing on 24" wide ceiling tile on conventional suspended ceiling grid; indoor environment.

Program Material:

Primary use: Equalized random noise

Secondary use: Signal tones or equalized voice

Recommended construction sequences, installation instructions and A&E Specifications are available in various formats in the QUAM Architects' and Engineers' Resources section on the web at: www.QuamSpeakers.com

QUAM-NICHOLS COMPANY

234 East Marquette Road, Chicago IL 60637
Phone: (800) NEED NOW Fax: (888) NEED NOW
(800) 633-3669 (888) 633-3669

E-Mail: NeedNow@QNC.com www.QuamSpeakers.com

